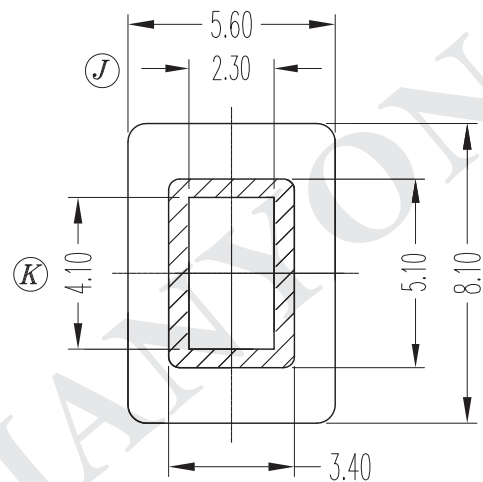
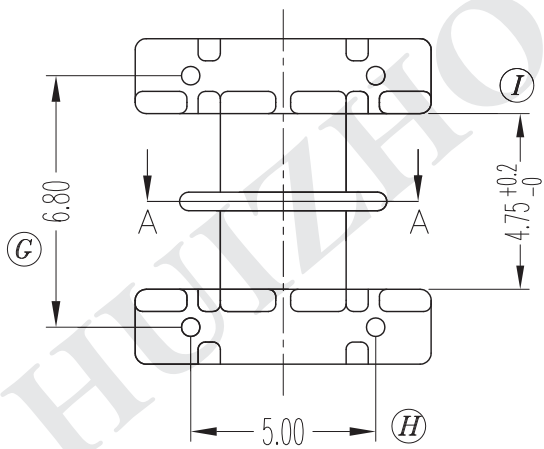
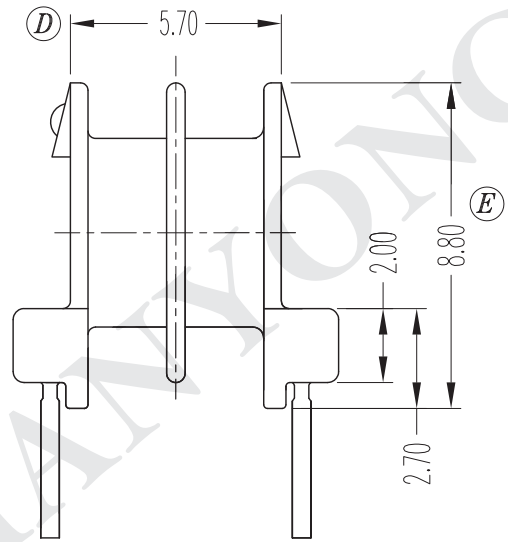
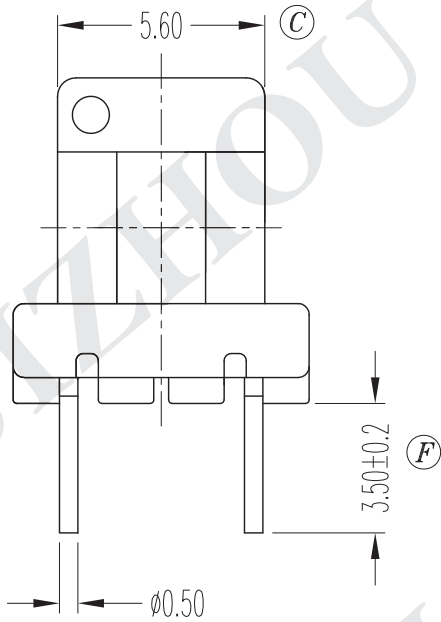
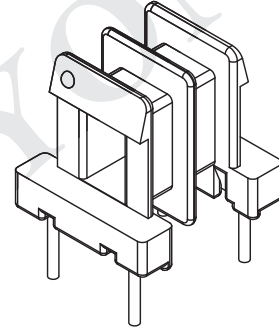
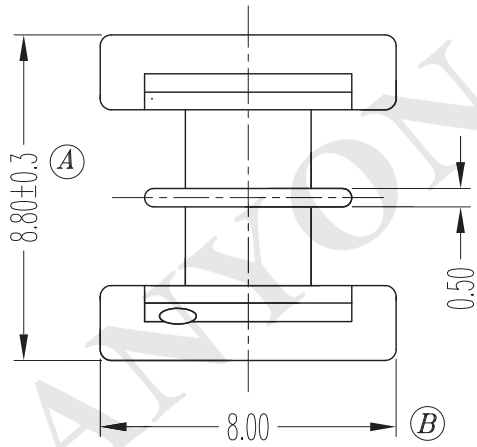



REV.	REVISIONS REC.	DATE
A	FIRST RELEASE	2011.08.18
B	"A"尺寸更改为：8.80±0.3mm	2011.10.24



SEC.A-A

DRAWN & DRAFTED BY	CHEN XL	TOLERANCES		ANGLE:	TITLE & DESC.:			
		0<L≤4 ±0.1	pin pitch ±0.2	±1°	T-H BOBBIN EE-8.3 (2+2 PIN)			
CHECKED & APPROVED BY	J.RONG	4<L≤16 ±0.2		UNIT:	MAINBODY MATERIAL:	UL REC.		
		16<L≤63 ±0.3		MM	PHENOLIC	UL 94V-0		
 惠州市建永绝缘制品有限公司 HUIZHOU JIANYONG INSULATED PRODUCT CO., LTD	惠州市建鑫实业有限公司 HUIZHOU JIANXIN INDUSTRIAL CO., LTD	SCALE:	1:1	PIN MATERIAL:	CP WIRE	PIN RETENTION LOAD:		
						0.8 KGF MIN		
				DATE:	OCT.24 '2011	DRAWING NO.	JT-0801	REV. B