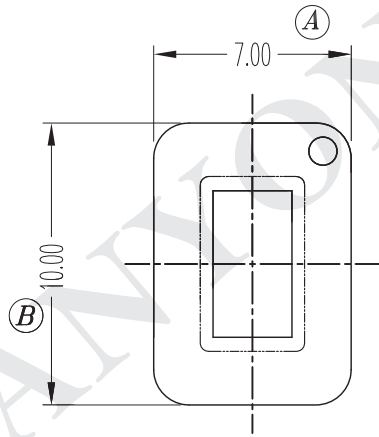
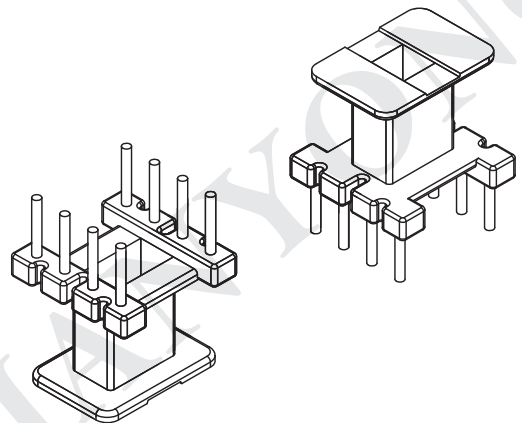
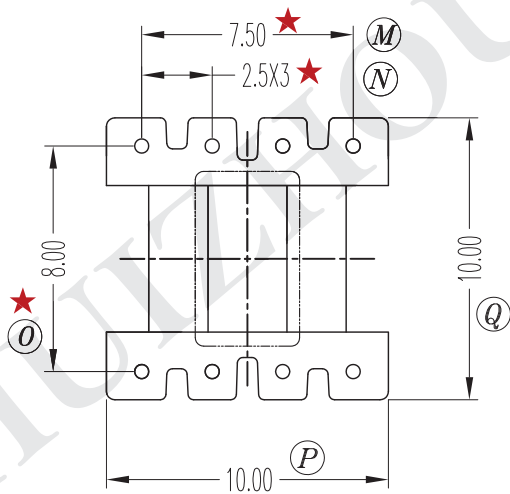
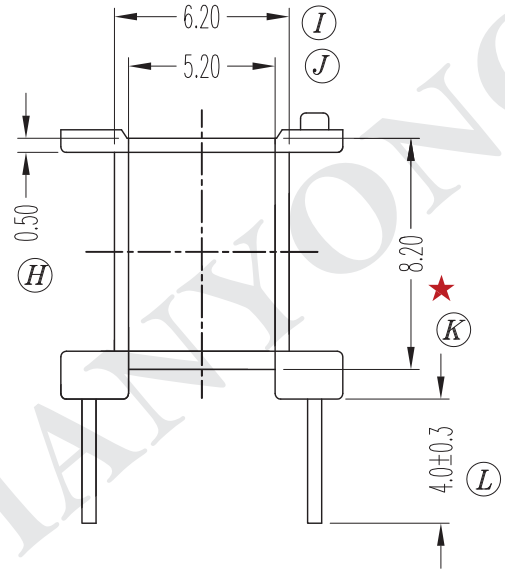
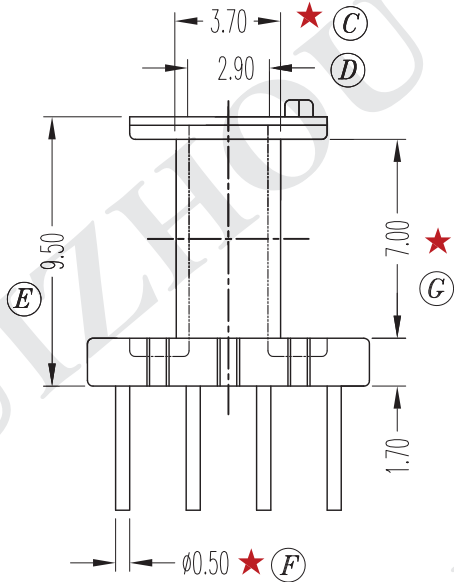




REV.	REVISIONS	REC.	DATE
A	FIRST RELEASE		2012.06.15



技术要求:

1. 未注圆角为R0.3
2. 标★号尺寸为重点尺寸
3. 重点尺寸共7个;



DRAWN & DRAFTED BY CHEN XL	TOLERANCES		ANGLE: ±1°	TITLE & DESC.: T-H BOBBIN EE-10 (4+4 PIN)	
	0<L≤4 ±0.1	pin pitch ±0.2	UNIT: MM	MAINBODY MATERIAL: PHENOLIC	UL REC. UL 94V-0
CHECKED & APPROVED BY J.RONG	4<L≤16 ±0.2		SCALE: 1:1	PIN MATERIAL: CP WIRE	PIN RETENTION LOAD: 0.8 KGF MIN
 惠州市建永绝缘制品有限公司 HUIZHOU JIANYONG INSULATED PRODUCT CO., LTD		 惠州市建鑫实业有限公司 HUIZHOU JIANXIN INDUSTRIAL CO., LTD		DATE: JUN.15 '2012	DRAWING NO. JT-1002
				REV. A	