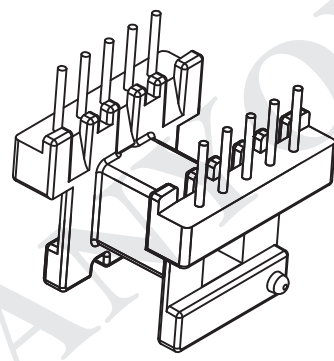
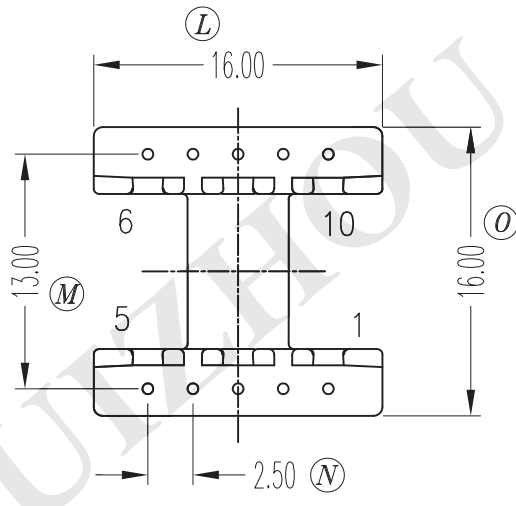
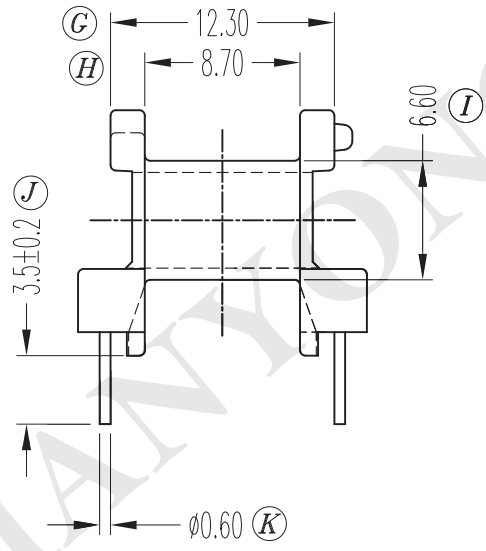
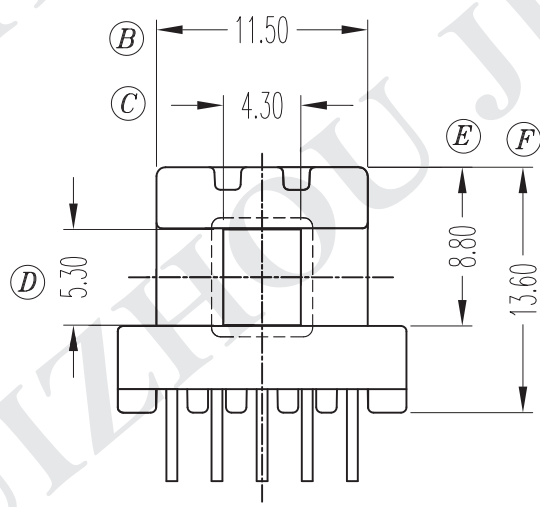
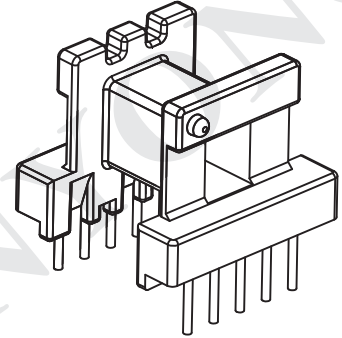
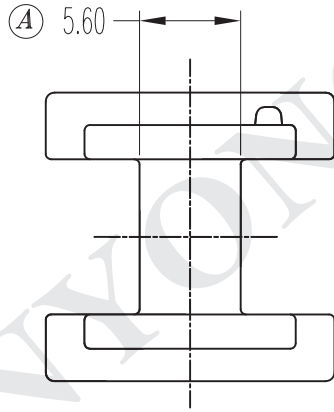


REV.	REVISIONS REC.	DATE
A	FIRST RELEASE	2011.05.03
B	"B" 尺寸11.70mm更改为11.50mm.	2012.06.01



DRAWN & DRAFTED BY CHEN XL	TOLERANCES		ANGLE: ±1°	TITLE & DESC.: T-H BOBBIN EE-16 (5+5 PIN)	
	0<L≤4 ±0.1	pin pitch ±0.2	UNIT: MM	MAINBODY MATERIAL: PHENOLIC	UL REC. UL 94V-0
CHECKED & APPROVED BY J.RONG	4<L≤16 ±0.2		SCALE: 1:1	PIN MATERIAL: CP WIRE	PIN RETENTION LOAD: 0.8 KGF MIN
惠州市建永绝缘制品有限公司 HUIZHOU JIANYONG INSULATED PRODUCT CO., LTD				DATE: JUN.01 '2012	DRAWING NO. JT-1603
惠州市建鑫实业有限公司 HUIZHOU JIANXIN INDUSTRIAL CO., LTD				REV. B	