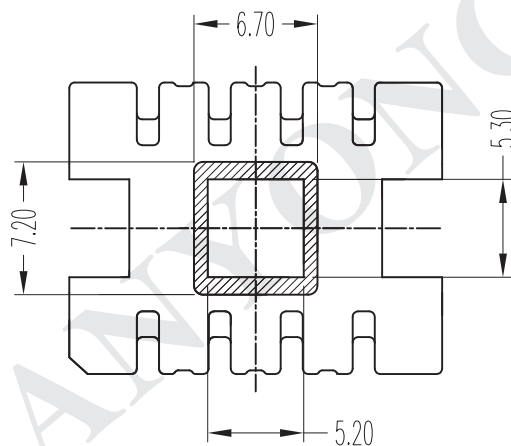
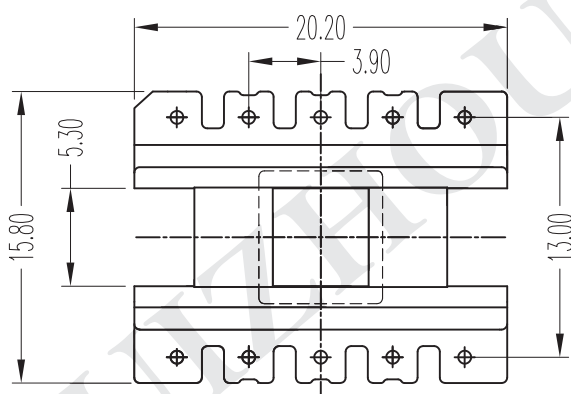
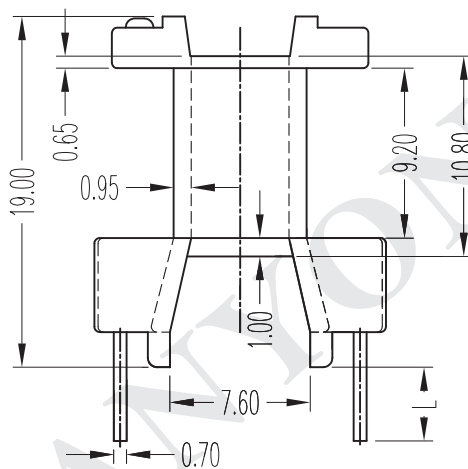
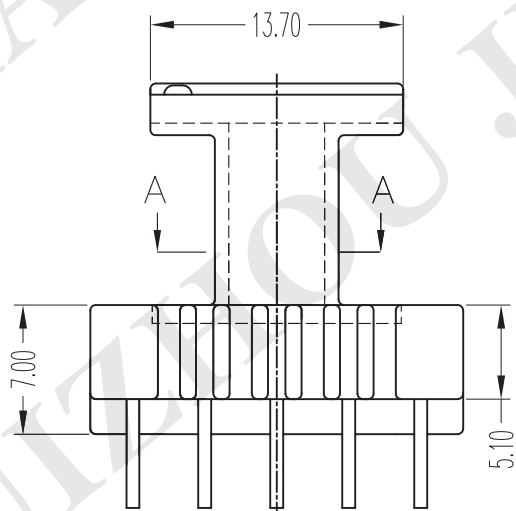
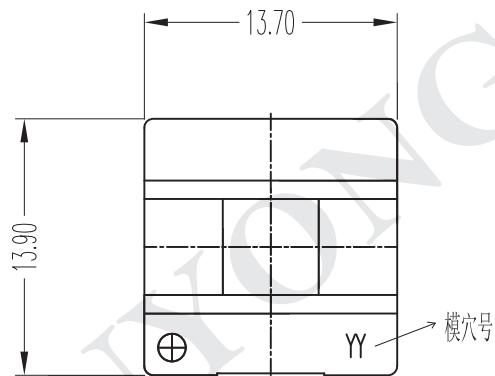


REV.	REVISIONS	REC.	DATE
A	FIRST RELEASE		2012.03.31



DRAWN & DRAFTED BY	CHEN XL	TOLERANCES		ANGLE:	TITLE & DESC.:		
		0<L≤4 ±0.1	pin pitch ±0.2	±1°	T-H BOBBIN EI-19 (5+5 PIN)		
CHECKED & APPROVED BY	J.RONG	4<L≤16 ±0.2		UNIT:	MM	MAINBODY MATERIAL:	
		16<L≤63 ±0.3	PHENOLIC			UL 94V-0	
惠州市建永绝缘制品有限公司 HUIZHOU JIANYONG INSULATED PRODUCT CO., LTD				SCALE:	PIN MATERIAL:		PIN RETENTION LOAD:
				1:1	CP WIRE		1.0 KGF MIN
惠州市建鑫实业有限公司 HUIZHOU JIANXIN INDUSTRIAL CO., LTD					DATE:	DRAWING NO.	REV.
					MAR.31 '2012	JT-1902	A