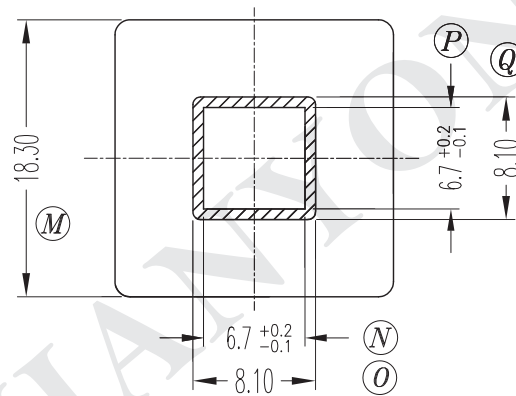
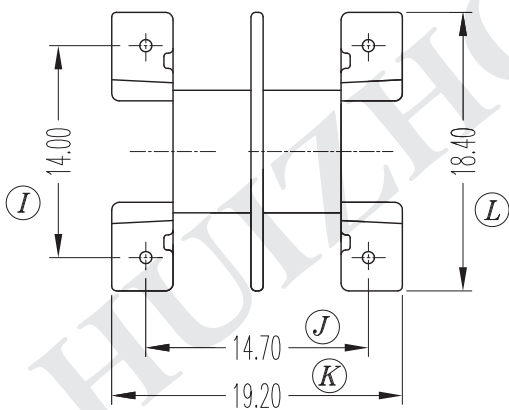
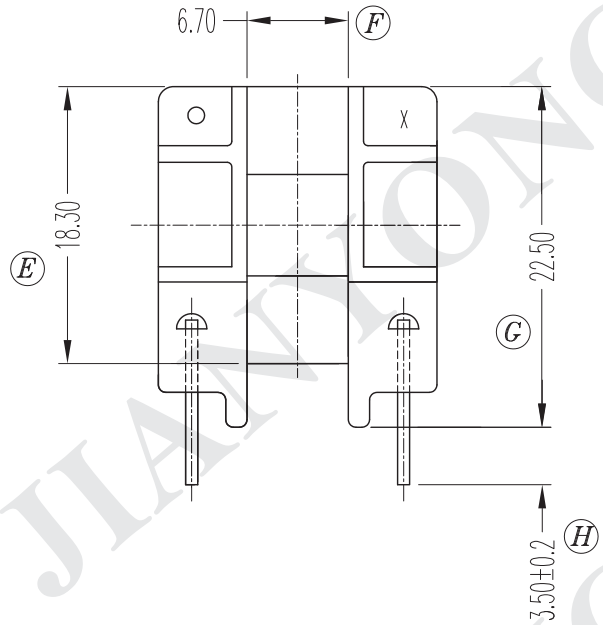
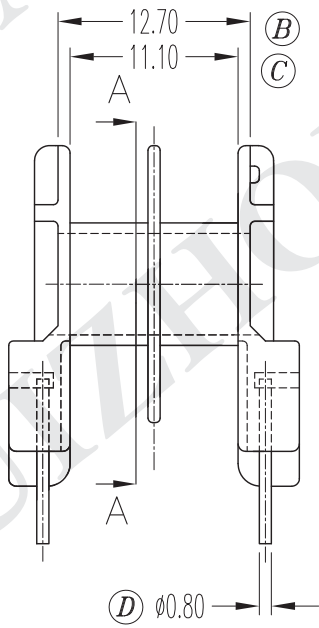
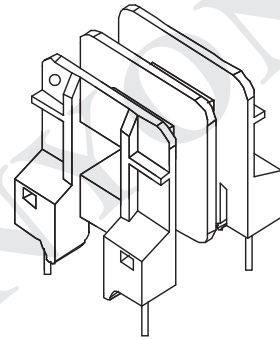
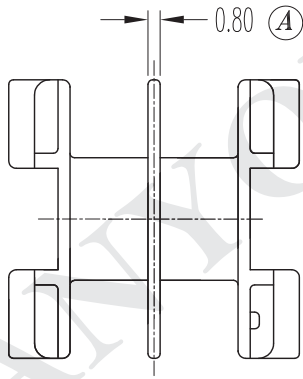

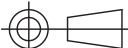


| REV. | REVISIONS     | REC. | DATE       |
|------|---------------|------|------------|
| A    | FIRST RELEASE |      | 2012.03.08 |
|      |               |      |            |
|      |               |      |            |



SEC. A-A

|   |  |   |                |               |                             |                     |         |
|---|--|---|----------------|---------------|-----------------------------|---------------------|---------|
| DRAWN & DRAFTED BY  | CHEN XL  | TOLERANCES  |                | ANGLE:        | TITLE & DESC.:              |                     |         |
|   |  | 0<L≤4 ±0.1  | pin pitch ±0.2 | ±1°           | T-H BOBBIN EE-25V (2+2 PIN) |                     |         |
| CHECKED & APPROVED BY   | J.RONG   | 4<L≤16 ±0.2   |                | UNIT:         | MAINBODY MATERIAL:          | UL REC.             |         |
|   |  | 16<L≤63 ±0.3  |                | MM            | PBT                         | UL 94V-0            |         |
|  惠州市建永绝缘制品有限公司<br>HUIZHOU JIANYONG INSULATED PRODUCT CO., LTD | 惠州市建鑫实业有限公司<br>HUIZHOU JIANXIN INDUSTRIAL CO., LTD | SCALE:  | 1:1            | PIN MATERIAL: | CP WIRE                     | PIN RETENTION LOAD: |         |
|   |  |  |                | DATE:         | MAR.08 '2012                | DRAWING NO.:        | JT-2501 |