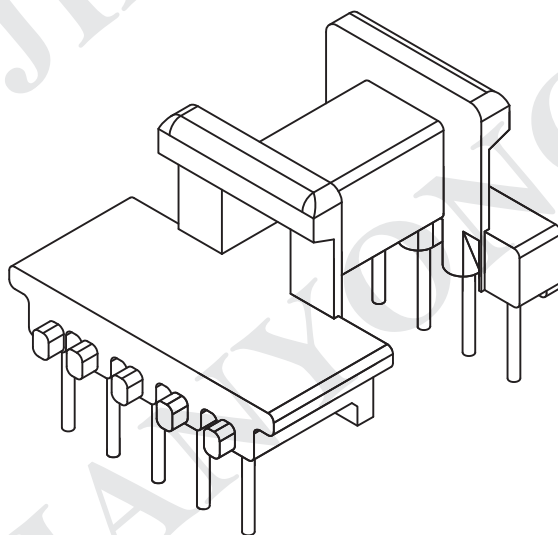
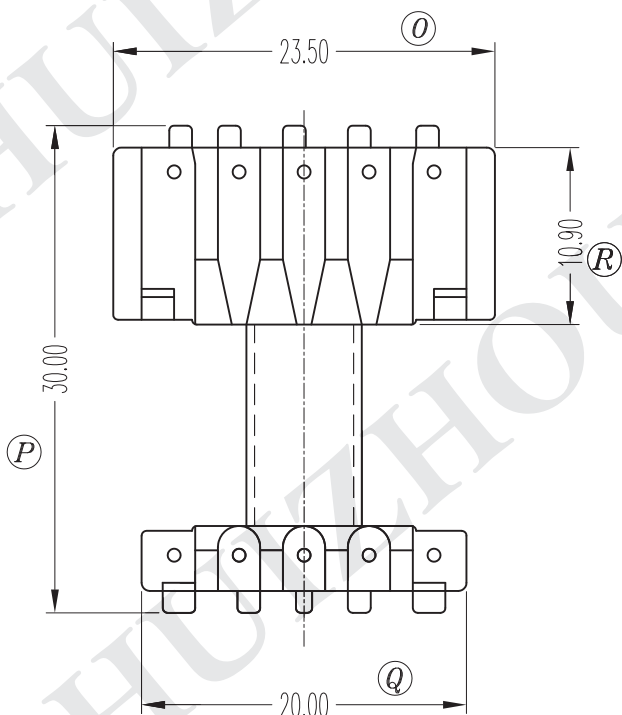
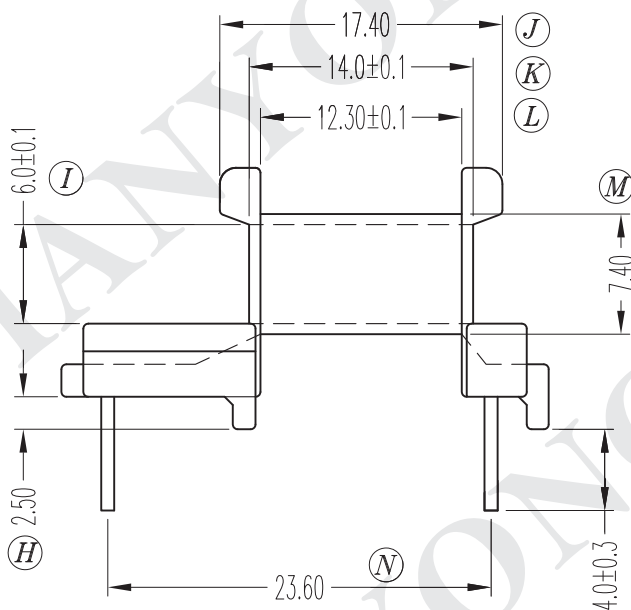
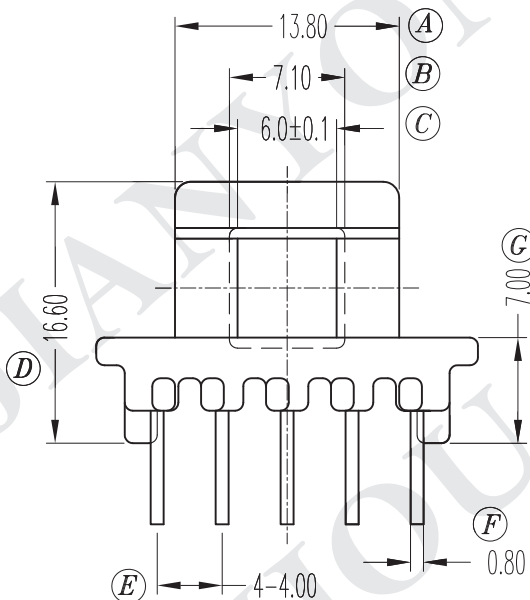

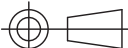


REV.	REVISIONS	REC.	DATE
A	FIRST RELEASE		2012.06.03



DRAWN & DRAFTED BY	CHEN XL	TOLERANCES		ANGLE:	TITLE & DESC.:				
		0<L≤4 ±0.1	pin pitch ±0.2	±1°	T-H BOBBIN EF-20 (5+5 PIN)				
CHECKED & APPROVED BY	J.RONG	4<L≤16 ±0.2		UNIT:	MAINBODY MATERIAL:	UL REC.			
		16<L≤63 ±0.3	MM	PHENOLIC	UL 94V-0				
 惠州市建永绝缘制品有限公司 HUIZHOU JIANYONG INSULATED PRODUCT CO., LTD	惠州市建鑫实业有限公司 HUIZHOU JIANXIN INDUSTRIAL CO., LTD	SCALE:	1:1	PIN MATERIAL:	PIN RETENTION LOAD:				
				CP WIRE	1.0 KGF MIN				
				DATE:	JUN.03 '2012	DRAWING NO.	JT-2004	REV.	A