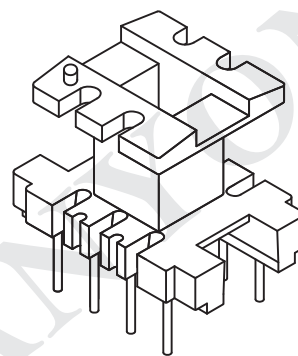
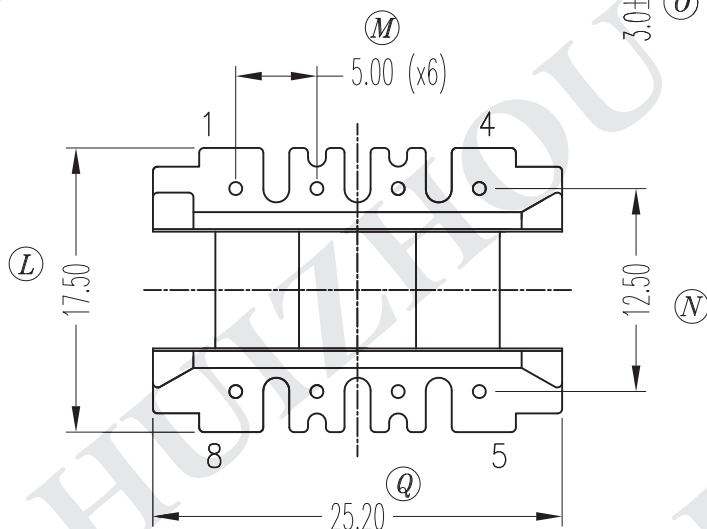
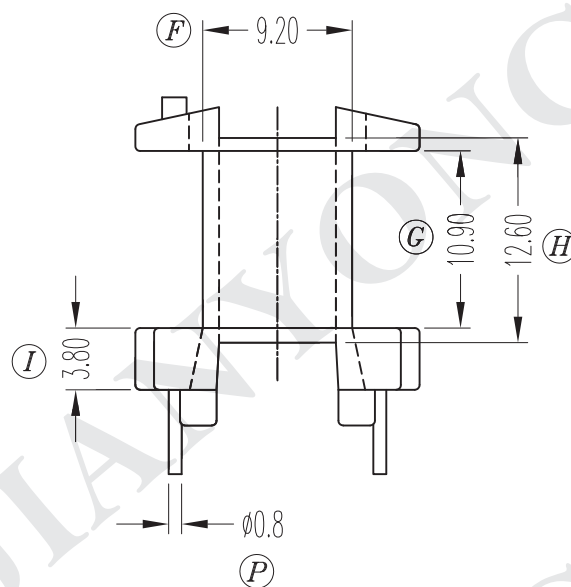
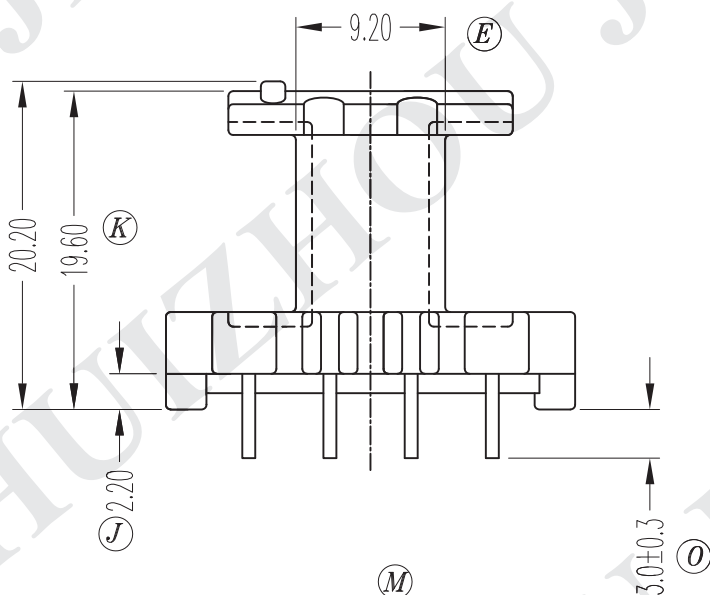
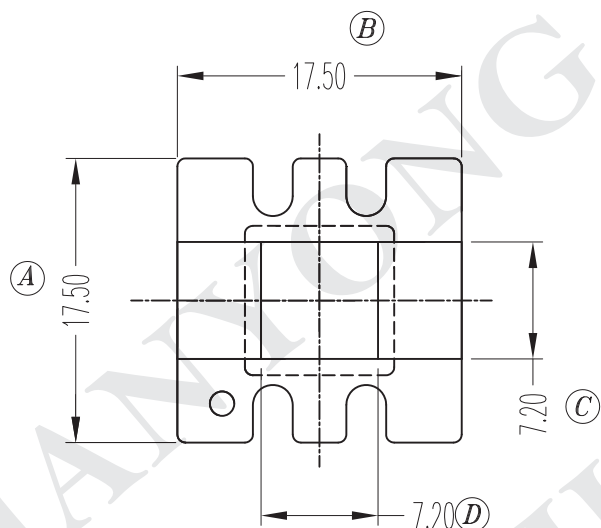



REV.	REVISIONS	REC.	DATE
A	FIRST RELEASE		2012.02.25



DRAWN & DRAFTED BY CHEN XL	TOLERANCES		ANGLE: ±1°	TITLE & DESC.: T-H BOBBIN EE-25 (4+4 PIN)	
	0<L≤4 ±0.1	pin pitch ±0.2	UNIT: MM	MAINBODY MATERIAL: PHENOLIC	UL REC. UL 94V-0
CHECKED & APPROVED BY J.RONG	4<L≤16 ±0.2		SCALE: 1:1	PIN MATERIAL: CP WIRE	PIN RETENTION LOAD: 1.2 KGF MIN
 惠州市建永绝缘制品有限公司 HUIZHOU JIANYONG INSULATED PRODUCT CO., LTD 惠州市建鑫实业有限公司 HUIZHOU JIANXIN INDUSTRIAL CO., LTD			DATE: FEB.25 '2012	DRAWING NO. JT-2504	REV. A