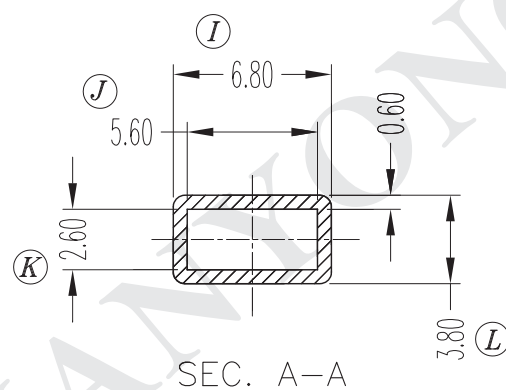
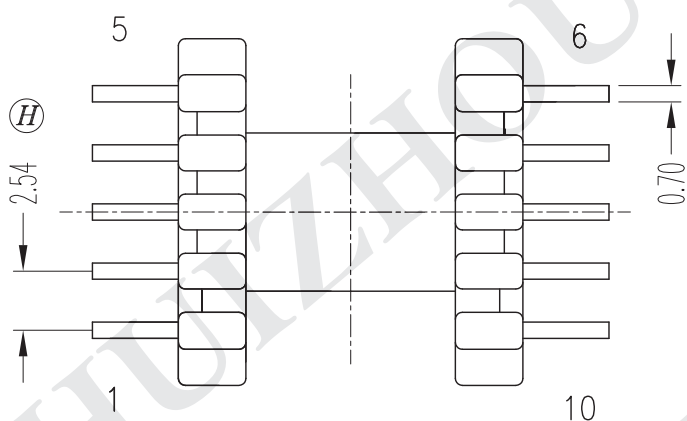
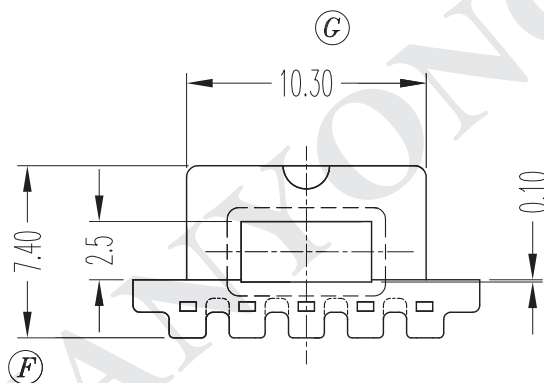
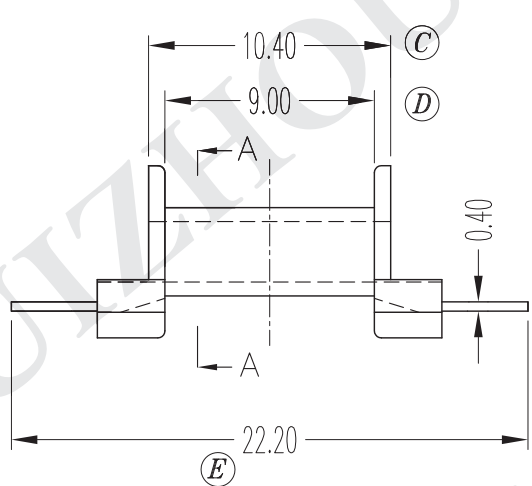
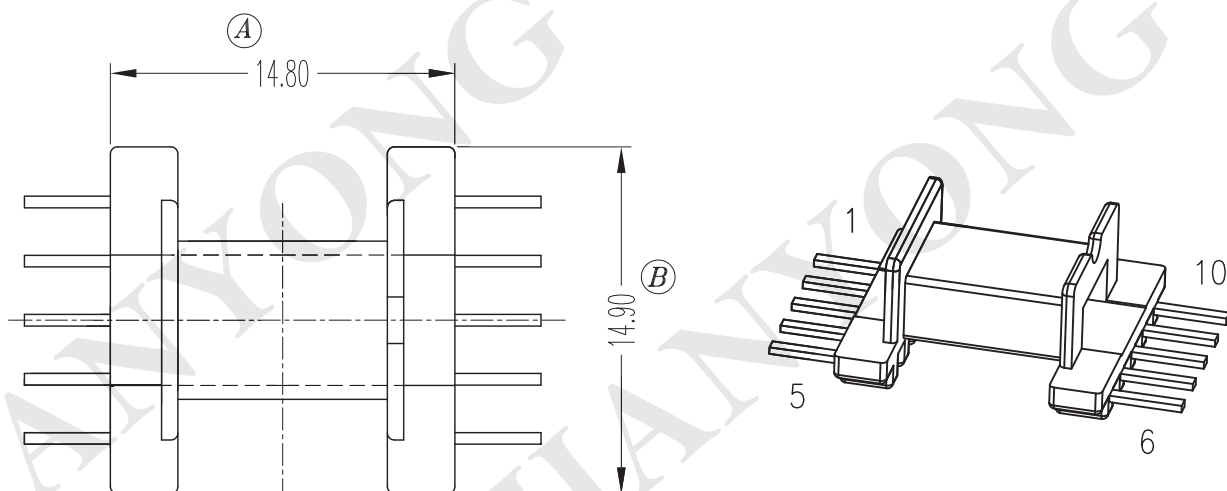

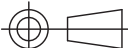


REV.	REVISIONS	REC.	DATE
A	FIRST RELEASE		2011.07.29



DRAWN & DRAFTED BY	CHEN XL	TOLERANCES		ANGLE:	TITLE & DESC.:		
		0<L≤4 ±0.1	pin pitch ±0.2	±1°	SMD BOBBIN EFD-15 (5+5 PIN)		
CHECKED & APPROVED BY	J.RONG	4<L≤16 ±0.2		UNIT:	MM	MAINBODY MATERIAL:	
		16<L≤63 ±0.3	PHENOLIC PM9820			UL 94V-0	
 惠州市建永绝缘制品有限公司 HUIZHOU JIANYONG INSULATED PRODUCT CO., LTD	惠州市建鑫实业有限公司 HUIZHOU JIANXIN INDUSTRIAL CO., LTD	SCALE:	1:1	PIN MATERIAL:	CP WIRE		PIN RETENTION LOAD:
			DATE:	JUL.29 '2011	DRAWING NO.	JS-1501-1	
							A