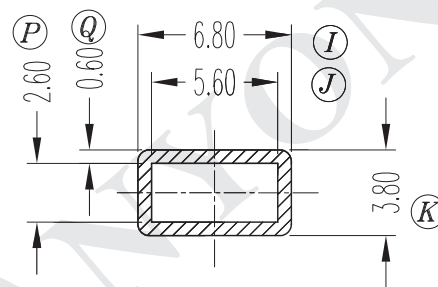
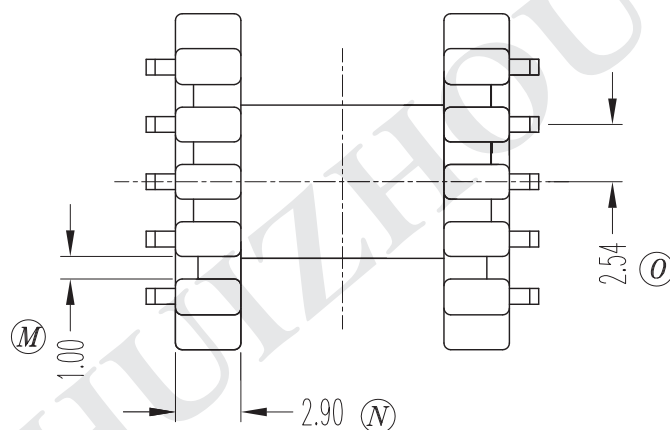
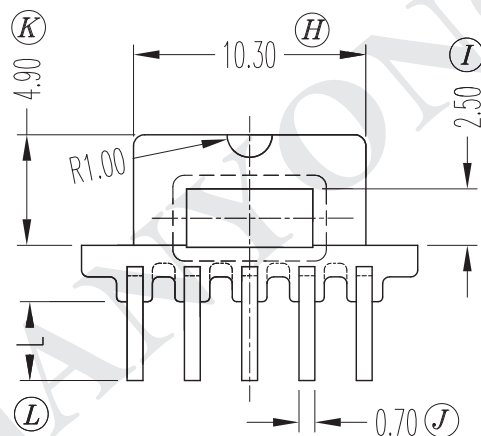
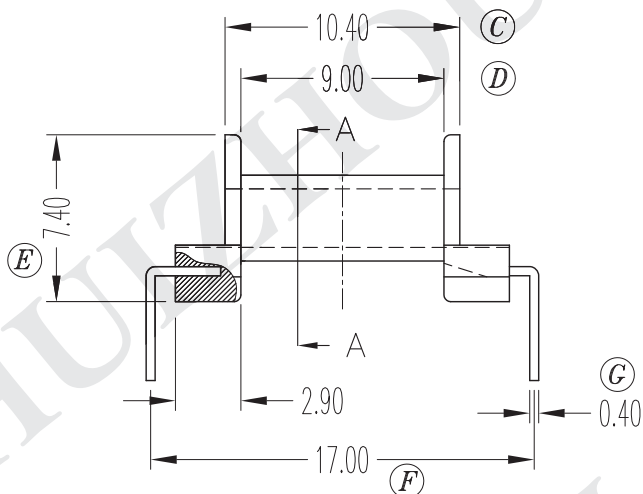
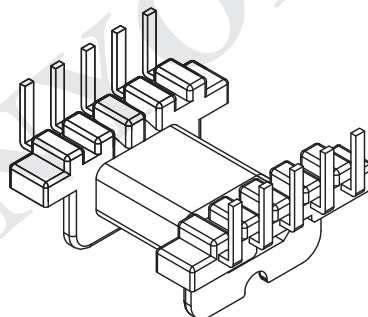
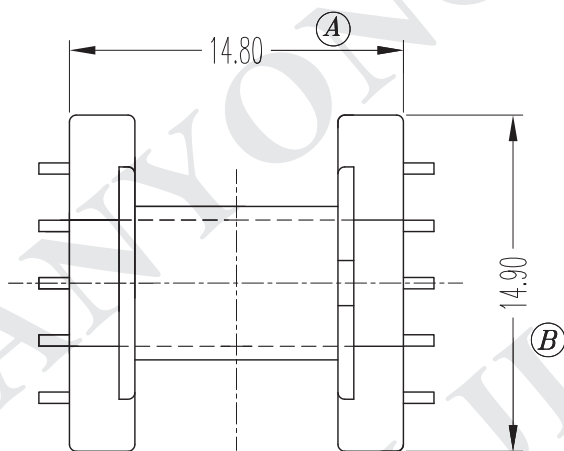


| REV. | REVISIONS | REC. | DATE |
|------|---------------|------|------------|
| A | FIRST RELEASE | | 2011.08.18 |
| | | | |
| | | | |



SEC. A-A

| | | | | | | | |
|-----------------------|--|--------------|----------------|-----------------|-----------------------------|---------------------|------|
| DRAWN & DRAFTED BY | CHEN XL | TOLERANCES | | ANGLE: | TITLE & DESC.: | | |
| | | 0<L≤4 ±0.1 | pin pitch ±0.2 | ±1° | T-H BOBBIN EFD-15 (5+5 PIN) | | |
| CHECKED & APPROVED BY | J.RONG | 4<L≤16 ±0.2 | | UNIT: | MAINBODY MATERIAL: | UL REC. | |
| | | 16<L≤63 ±0.3 | MM | PHENOLIC PM9820 | UL 94V-0 | | |
| | 惠州市建永绝缘制品有限公司 HUIZHOU JIANYONG INSULATED PRODUCT CO., LTD | | | SCALE: | PIN MATERIAL: | PIN RETENTION LOAD: | |
| | 惠州市建鑫实业有限公司 HUIZHOU JIANXIN INDUSTRIAL CO., LTD | | | 1:1 | CP WIRE | 1.5 KGF MIN | |
| | | | | | DATE: | DRAWING NO. | REV. |
| | | | | | AUG.18 '2011 | JT-1501 | A |