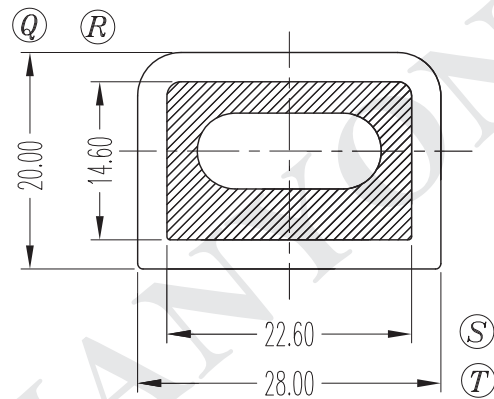
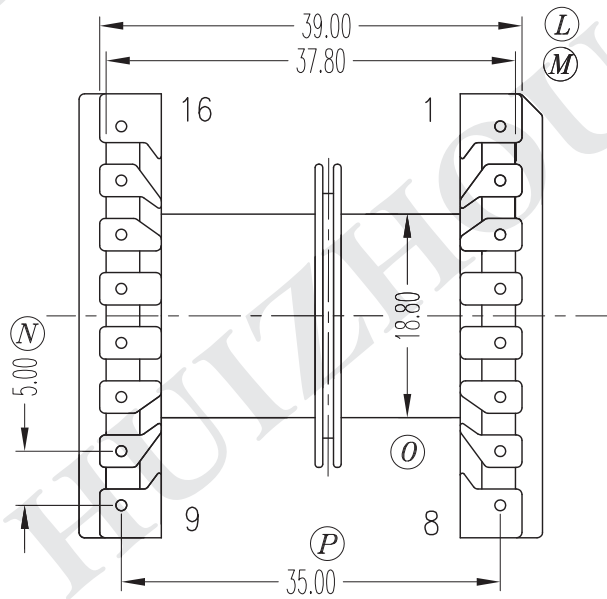
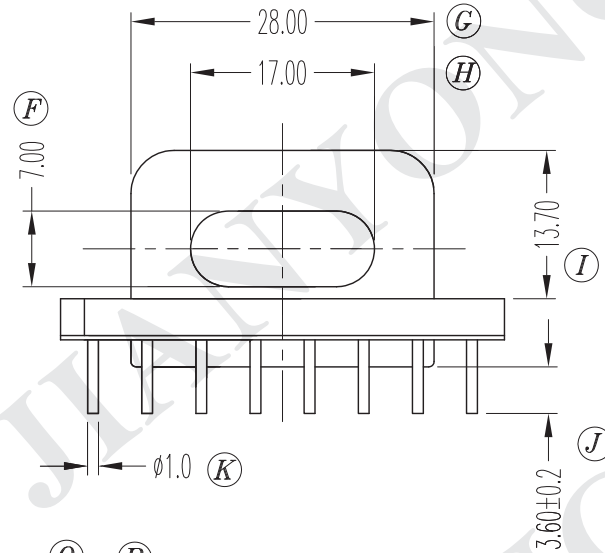
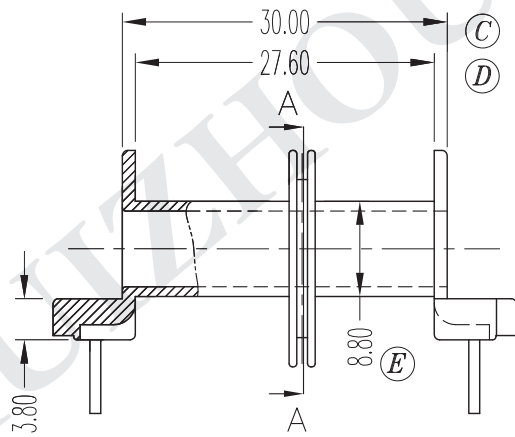
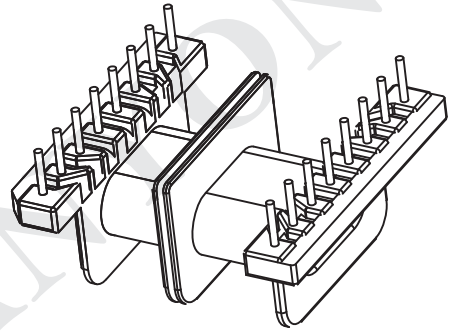
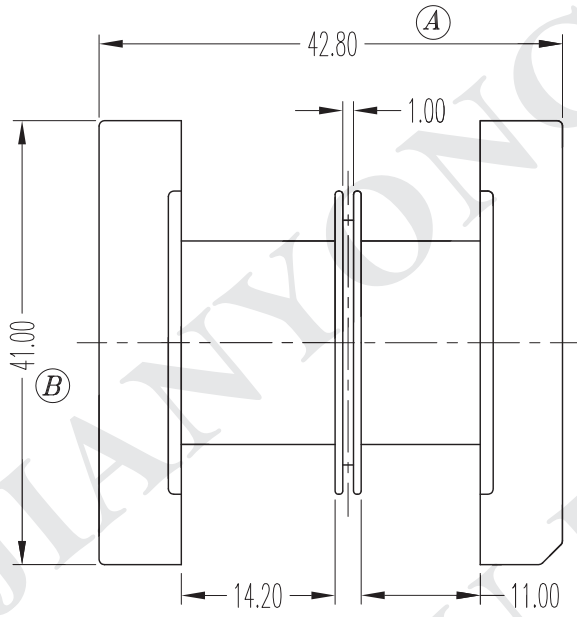

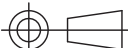


REV.	REVISIONS	REC.	DATE
A	FIRST RELEASE		2011.08.18



SEC. A-A

DRAWN & DRAFTED BY CHEN XL	TOLERANCES		ANGLE: $\pm 1^\circ$	TITLE & DESC.: T-H BOBBIN EFD4020 (8+8 PIN)	
	0<L≤4 ±0.1	pin pitch ±0.2		MAINBODY MATERIAL: PHENOLIC	
CHECKED & APPROVED BY J.RONG	4<L≤16 ±0.2		UNIT: MM	UL REC. UL 94V-0	
	16<L≤63 ±0.3		SCALE: 1:1	PIN MATERIAL: CP WIRE	PIN RETENTION LOAD: 1.5 KGF MIN
 惠州市建永绝缘制品有限公司 HUIZHOU JIANYONG INSULATED PRODUCT CO., LTD	惠州市建鑫实业有限公司 HUIZHOU JIANXIN INDUSTRIAL CO., LTD			DATE: AUG.18 '2011	DRAWING NO. JT-4001
					REV. A