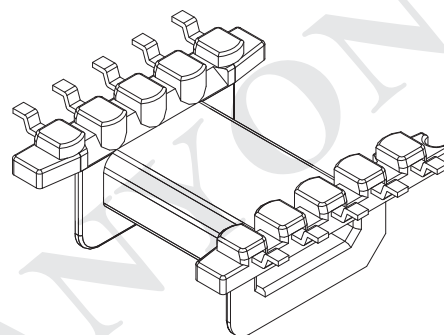
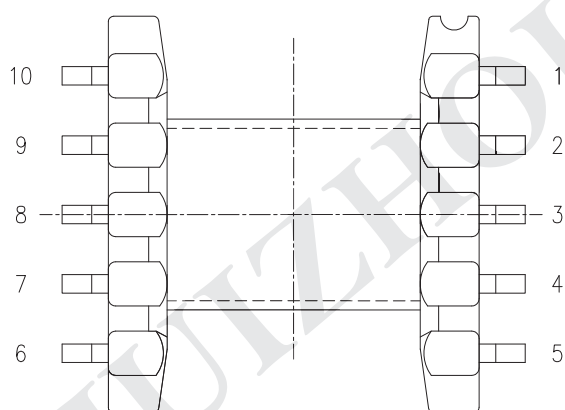
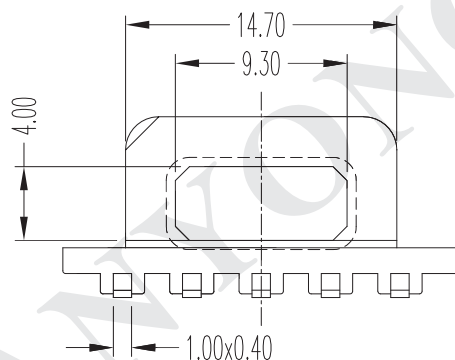
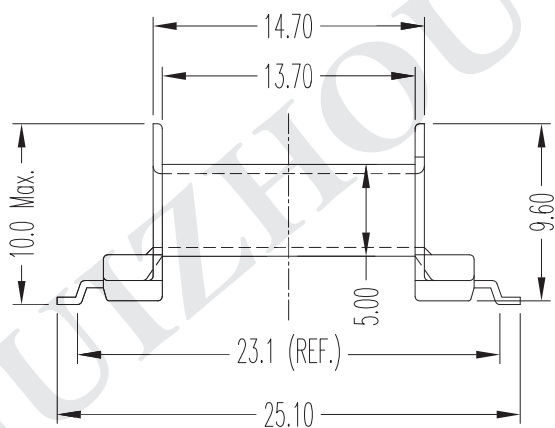
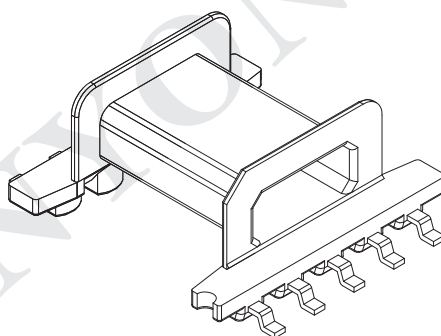
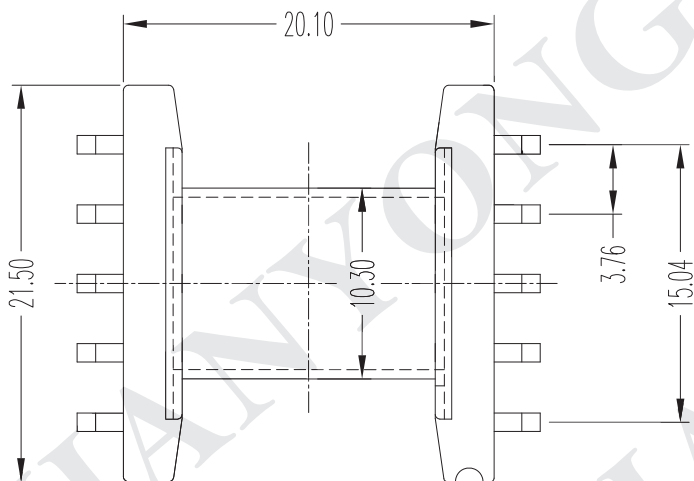

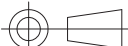


REV.	REVISIONS	REC.	DATE
A	FIRST RELEASE		2012.08.29



DRAWN & DRAFTED BY	CHEN XL	TOLERANCES		ANGLE:	TITLE & DESC.:	
		0<L≤4 ±0.1	pin pitch ±0.2	±1°	SMD BOBBIN EFD-20 (5+5 PIN)	
CHECKED & APPROVED BY	J.RONG	4<L≤16 ±0.2		UNIT:	MAINBODY MATERIAL:	UL REC.
		16<L≤63 ±0.3	MM	PHENOLIC PM9630	UL 94V-0	
 惠州市建永绝缘制品有限公司 HUIZHOU JIANYONG INSULATED PRODUCT CO., LTD	惠州市建鑫实业有限公司 HUIZHOU JIANXIN INDUSTRIAL CO., LTD	SCALE:	1:1	PIN MATERIAL:	PIN RETENTION LOAD:	
		 DATE: AUG.29 '2012	DRAWING NO.	CP WIRE	1.0 KGF MIN	
					JS-2001	REV. A