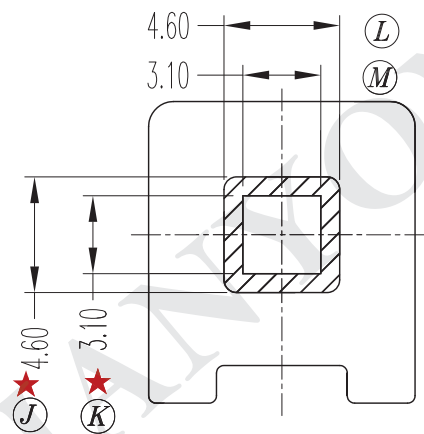
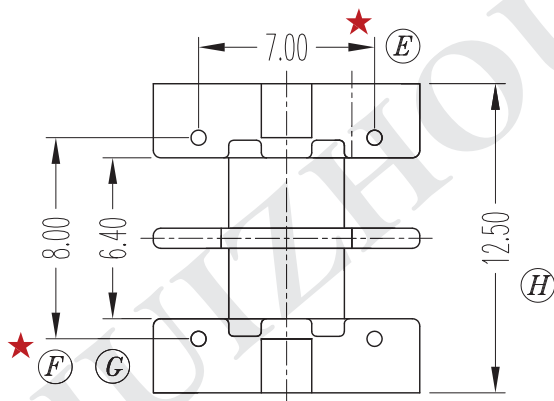
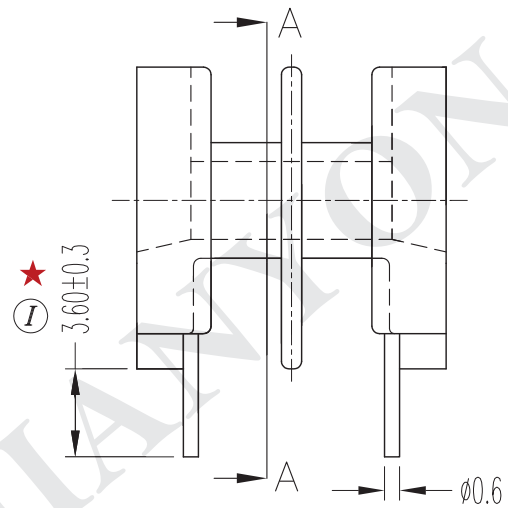
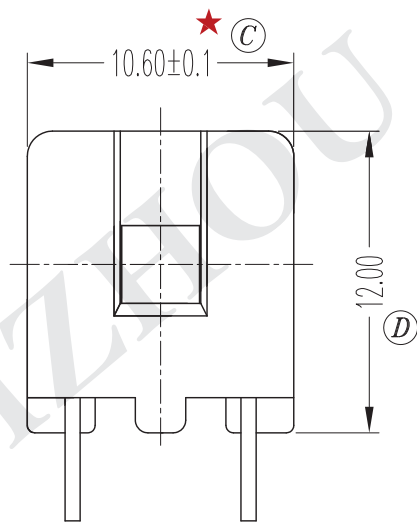
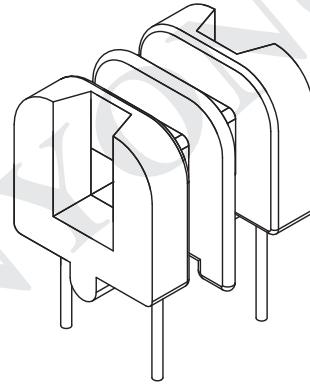
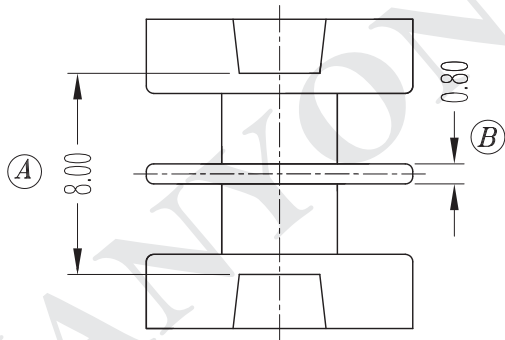


技术要求:

1. 未注圆角为R0.3
2. 标★号尺寸为重点尺寸

REV.	REVISIONS	REC.	DATE
A	FIRST RELEASE		2012.03.26



SEC. A-A

DRAWN & DRAFTED BY	CHEN XL	TOLERANCES		ANGLE:	TITLE & DESC.: T-H BOBBIN UU9.8 (2+2 PIN)		
		0<L≤4 ±0.1	pin pitch ±0.2	±1°			
CHECKED & APPROVED BY	J.RONG	4<L≤16 ±0.2		UNIT:	MM	MAINBODY MATERIAL: PHENOLIC	
		16<L≤63 ±0.3	SCALE:		1:1	PIN MATERIAL: CP WIRE	
惠州市建永绝缘制品有限公司 HUIZHOU JIANYONG INSULATED PRODUCT CO., LTD				DATE: MAR.26 '2012	DRAWING NO.		REV.
惠州市建鑫实业有限公司 HUIZHOU JIANXIN INDUSTRIAL CO., LTD					JT-0905		A