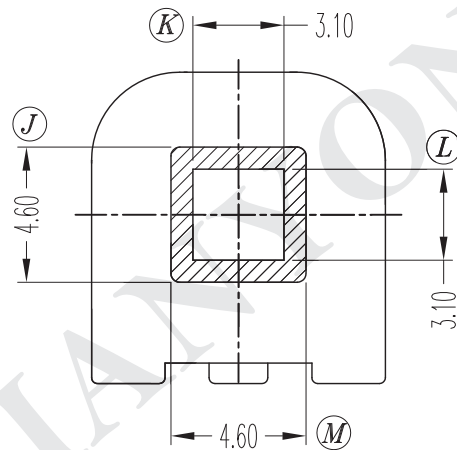
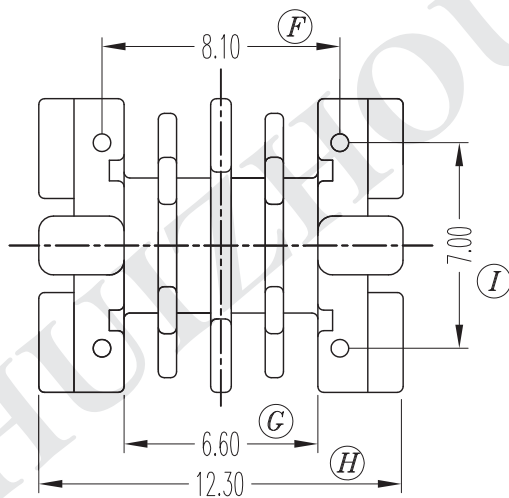
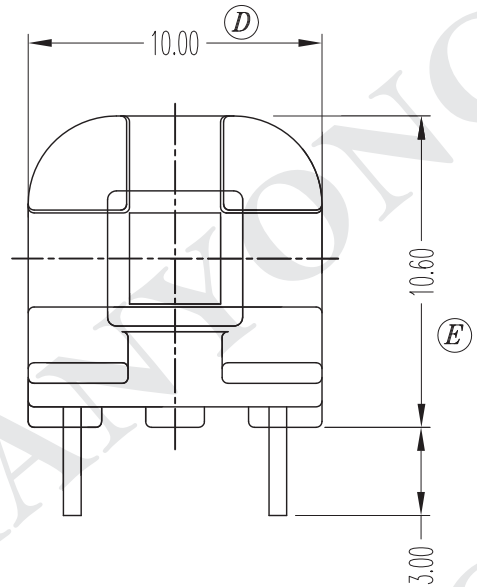
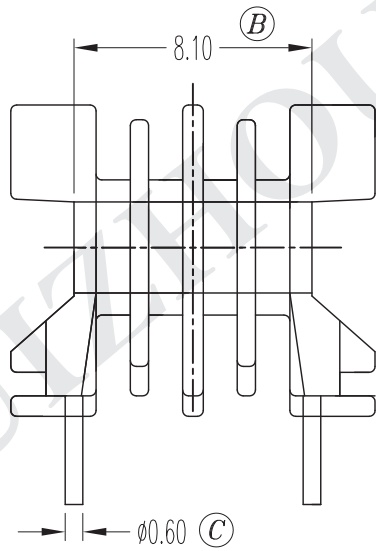
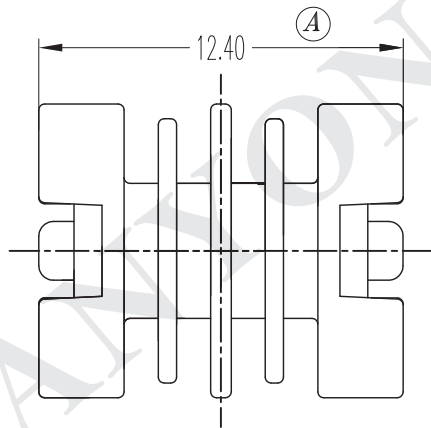

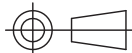


REV.	REVISIONS	REC.	DATE
A	FIRST RELEASE		2012.06.28

技术要求:

1. 未注圆角为R0.3
2. 标★号尺寸为重点尺寸



DRAWN & DRAFTED BY	CHEN XL	TOLERANCES		ANGLE:	TITLE & DESC.:	
		0<L≤4 ±0.1	pin pitch ±0.2	±1°	T-H BOBBIN UU-9.8 (2+2 PIN)	
CHECKED & APPROVED BY	J.RONG	4<L≤16 ±0.2		UNIT:	MAINBODY MATERIAL:	UL REC.
		16<L≤63 ±0.3	MM	PHENOLIC	UL 94V-0	
 惠州市建永绝缘制品有限公司 HUIZHOU JIANYONG INSULATED PRODUCT CO., LTD	惠州市建鑫实业有限公司 HUIZHOU JIANXIN INDUSTRIAL CO., LTD	SCALE:	1:1	PIN MATERIAL:	PIN RETENTION LOAD:	
			DATE:	JUN.28 '2012	DRAWING NO.	JT-0907