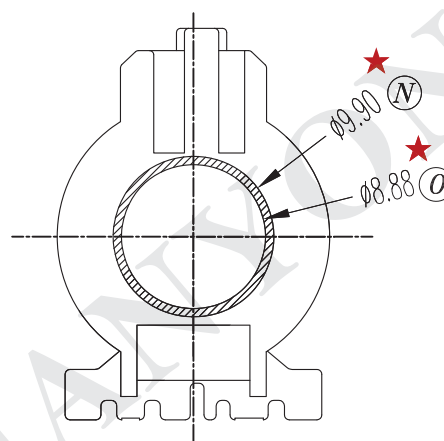
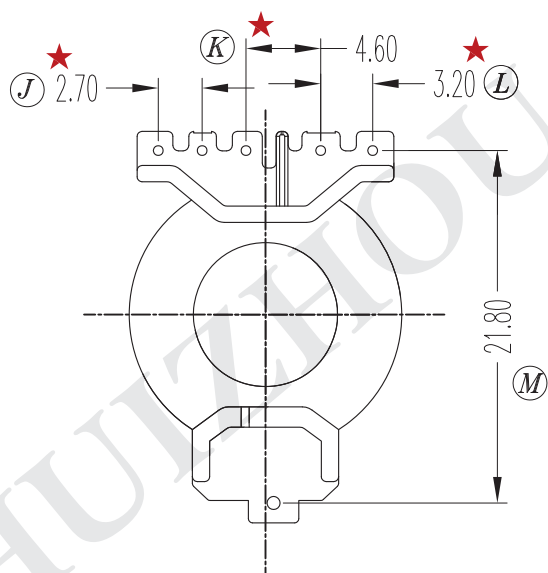
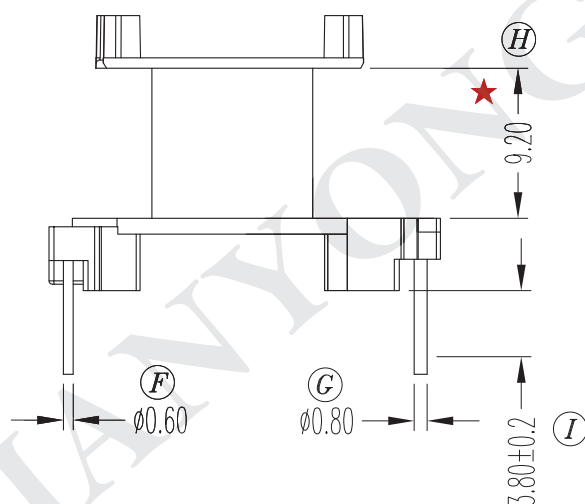
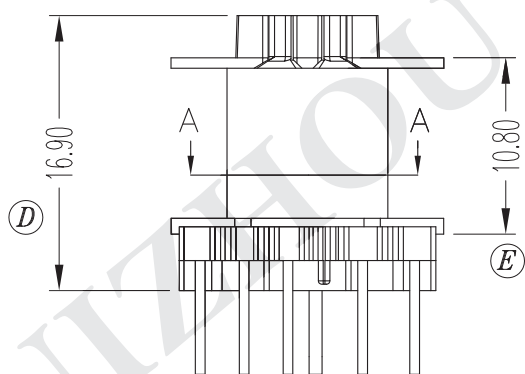
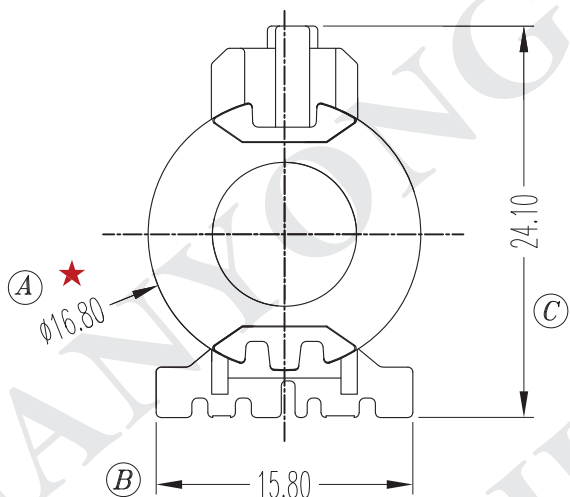



REV.	REVISIONS	REC.	DATE
A	FIRST RELEASE		2011.11.07
B	部分形状修改		2012.07.12

技术要求:

1. 未注圆角为R0.3
2. 标★号尺寸为重点尺寸



SEC. A-A

DRAWN & DRAFTED BY	CHEN XL	TOLERANCES		ANGLE:	TITLE & DESC.:	
		0 < L ≤ 4 ±0.1	pin pitch ±0.2	±1°	T-H BOBBIN RM-8 (5+1 PIN)	
CHECKED & APPROVED BY	J.RONG	4 < L ≤ 16 ±0.2		UNIT:	MM	MAINBODY MATERIAL:
		16 < L ≤ 63 ±0.3	PHENOLIC PM9630			UL 94V-0
 惠州市建永绝缘制品有限公司 HUIZHOU JIANYONG INSULATED PRODUCT CO., LTD	惠州市建鑫实业有限公司 HUIZHOU JIANXIN INDUSTRIAL CO., LTD	SCALE:	1:1	PIN MATERIAL:	CP WIRE	PIN RETENTION LOAD:
		DATE:	JUL.12 '2012	DRAWING NO.:	JT-0802	REV.: