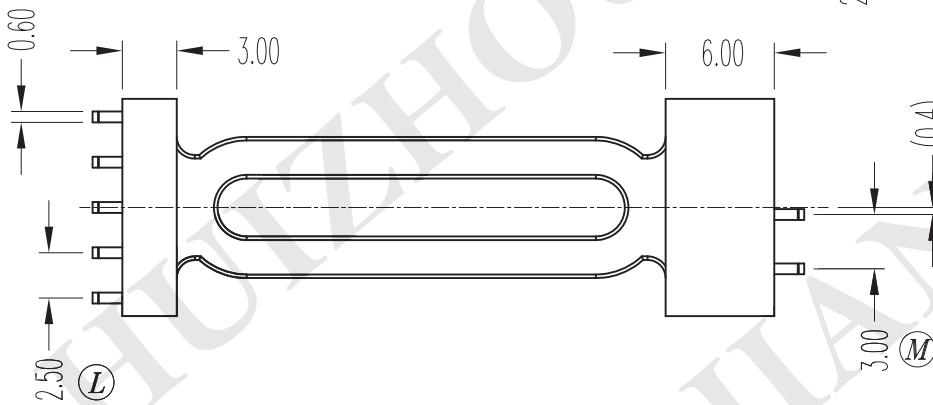
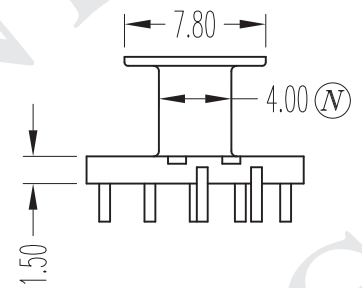
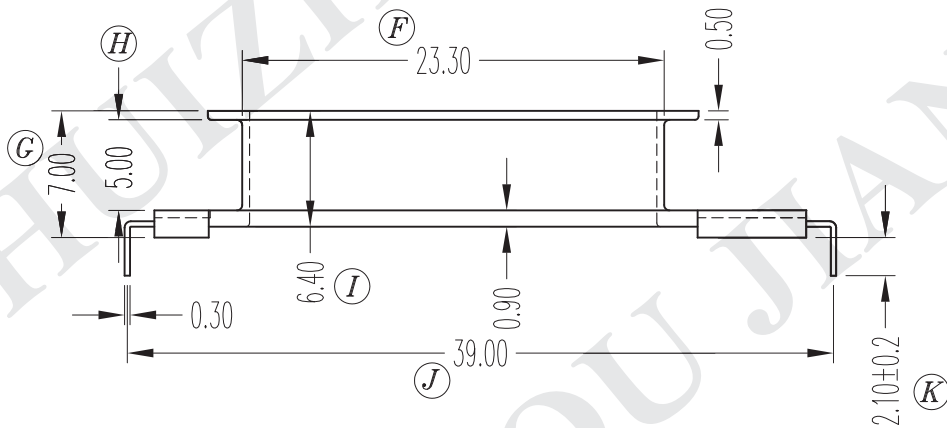
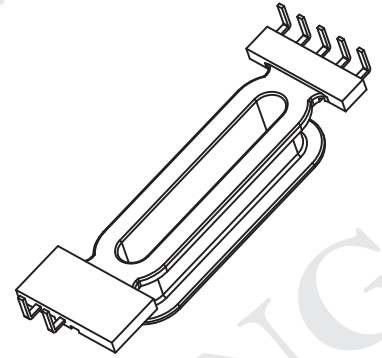
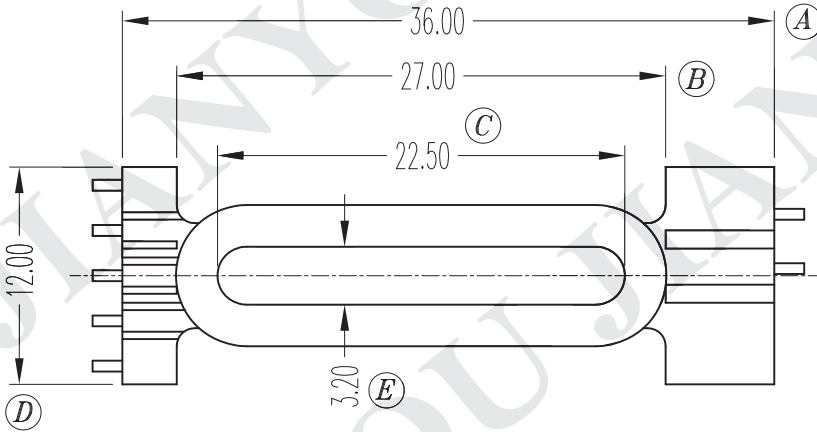
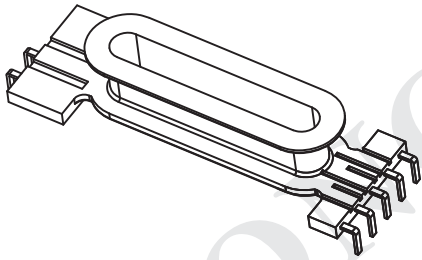


REV.	REVISIONS	REC.	DATE
A	FIRST RELEASE		2011.03.22



ANGLE: ±1°	TITLE & DESC.: L PIN BOBBIN EDR25 (5+2 PIN)	
UNIT: MM	MAINBODY MATERIAL: PHENOLIC	UL REC. UL 94V-0
SCALE: 1:1	PIN MATERIAL: CP WIRE	PIN RETENTION LOAD: 0.8 KGF MIN
	DATE: MAR.22 '2011	DRAWING NO. EDR-25
		REV. A