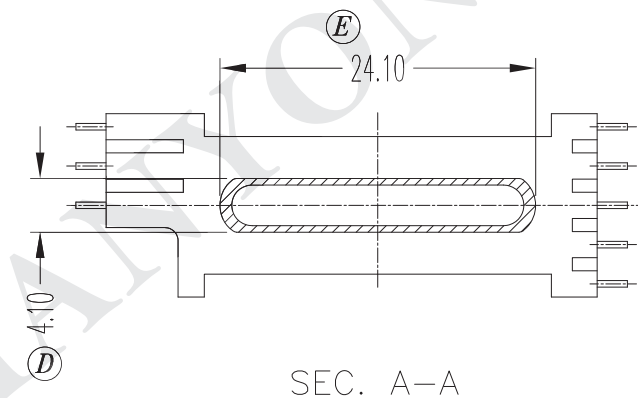
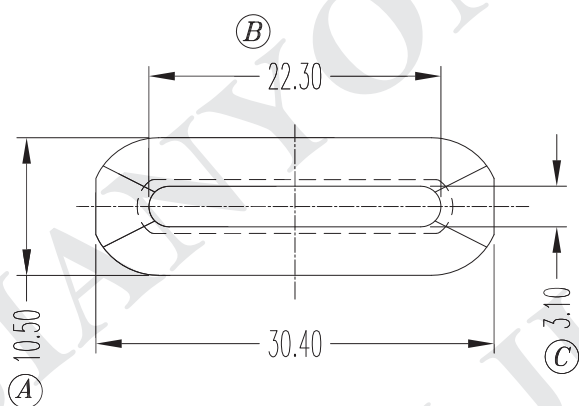
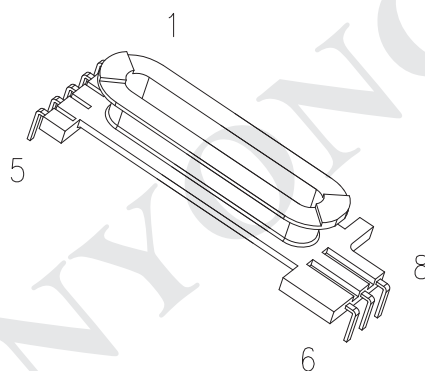
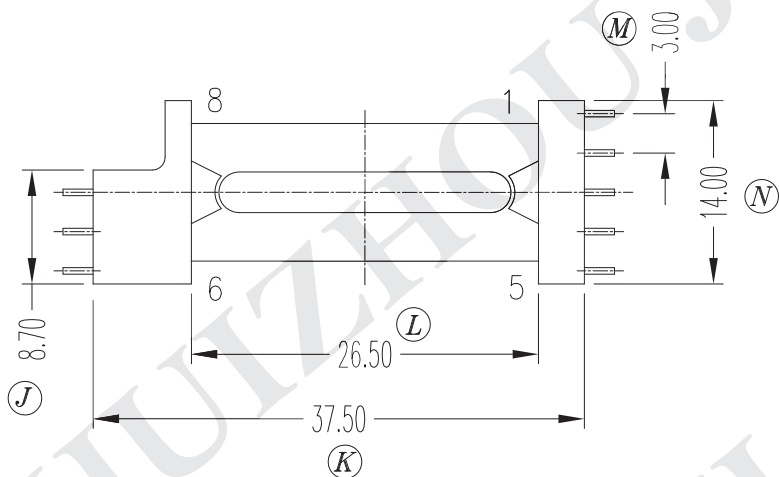
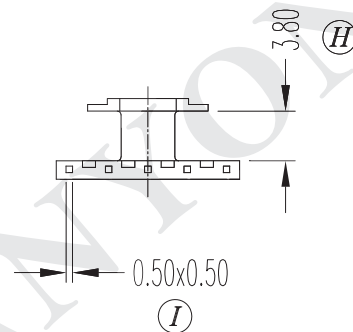
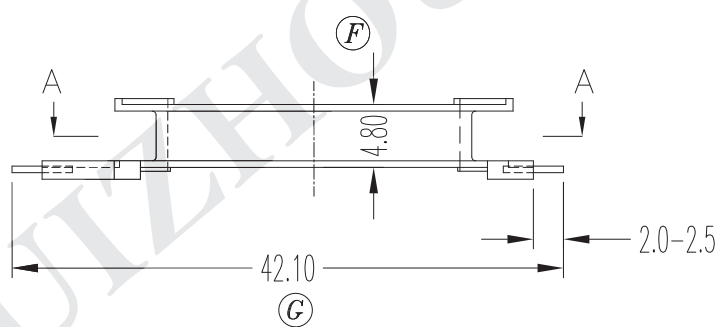

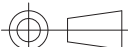


REV.	REVISIONS	REC.	DATE
A	FIRST RELEASE		2012.10.29



SEC. A-A



DRAWN & DRAFTED BY CHEN XL	TOLERANCES		ANGLE: $\pm 1^\circ$	TITLE & DESC.: L PIN BOBBIN EDR-26 (5+3 PIN)	
	0<L≤4 ±0.1	pin pitch ±0.2	UNIT: MM	MAINBODY MATERIAL: PHENOLIC	UL REC. UL 94V-0
CHECKED & APPROVED BY J.RONG	4<L≤16 ±0.2		SCALE: 1:1	PIN MATERIAL: CP WIRE	PIN RETENTION LOAD: 0.8 KGF MIN
	16<L≤63 ±0.3			DATE: OCT.29 '2012	DRAWING NO. JT-2601-1
 惠州市建永绝缘制品有限公司 HUIZHOU JIANYONG INSULATED PRODUCT CO., LTD		 惠州市建鑫实业有限公司 HUIZHOU JIANXIN INDUSTRIAL CO., LTD			REV. A